



FlashLED 2

work and inspection lamp with emergency light function



The FlashLED 2 is based on the latest Li-ion battery technology coupled with up-to-date LED technology. If the supply voltage of the charging station fails, the light switches on in «emergency light» mode. This is activated at the factory («ON»), but can be changed by pressing the «OFF» switch. The emergency light function is activated by setting the magnetic switch to the «Emergency Light ON» position.

The swivelling light head is a further advantage; the degree of protection of IP65 (IP54 for the charging station) and the easily understandable film panel are additional positive properties of the product.

Product Features

- The latest Li-Ion technology for a high energy density and maximum service life (up to 1'000 cycles possible)
- GIFAS Battery Management System to monitor and verify all important battery operating parameters
- Up to 14 hours of light depending on the selected operating mode and dimming level:
 - Spot: clustered, wide beam of light
 - Wide: light that illuminates the room
 - Full light: combination of Spot and Wide
 - Emergency light: broadly illuminating light cone
- Memory function = last setting is saved
- Blinking mode
- Robust housing glass fiber reinforced made of polyamide
- Corrosion-resistant charging contacts (spring steel)
- Vertical swivelling light head
- Over-current, temperature and deep discharge protection

- Low self-discharge of the Li-Ion battery

Technical data

FlashLED 2

Operating voltage:	10-42VDC
Electric power supply:	Li-Ion-Akku 14.4V 2'600mAh
Charging time:	5h
Luminous period:	Spot (3 LED): 10h Wide (2 LED): 14h Full light (5 LED): 5h Emergency light (5 LED): 5h
Tube:	5 Power-LED à 3W, cool white 5'000K
Light output:	200lm - 1'250lm
Protection category:	IP65
Protection class:	III
Operating temperature range:	-20° to +45°C
Charging temperature range:	0° to +45°C
Dimensions (WxHxD)	
- Lamp excl. charging station:	252x123x93.4 mm
- Lamp incl. charging station:	323x149x108 mm
Weight:	approx. 1.1 kg
Charging station	
Operating voltage:	230VAC (85-264VAC) or 12-24VDC
Protection category:	IP54
Protection class 230VAC:	II
Protection class 12-24VDC:	III
Dimensions (WxHxD):	149x276x95 mm
Weight:	430g

Item no.	Designation
✓ 861200	FlashLED 2 work and inspection lamp with emergency light function without charging station
✓ 860026	FlashLED charging station 230 VAC (85-264 VAC), incl. 1.5 m cable and plug Euro
✓ 108125	FlashLED charging station BABS 230 VAC (85-264 VAC), incl. 1.5 m cable and plug Euro
✓ 860027	FlashLED charging station 12-24 VDC, with plug-in connection, without cable
✓ 860028	Charging cable with cigarette plug, L=2m
✓ 860029	Charging cable for permanent installation, with plug, L=2m

Accessories/spare parts	
✓ 860030	Shoulder strap for FlashLED
✓ 212451	Coloured filter set for FlashLED (red, green, yellow)
✓ 861212	Spare battery 14.4V 2'600mAh for FlashLED 2
✓ 860744	Battery cover with magnetic strip to FlashLED 2

✓ from stock, offer subject to prior sale

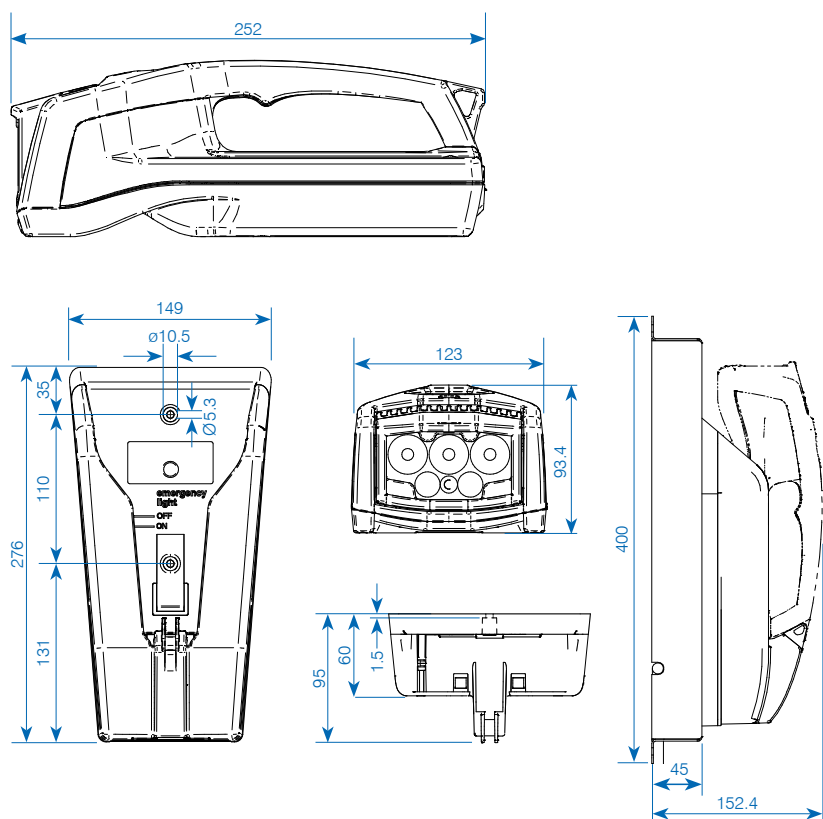
Installing the battery pack and mounting the battery compartment cover

Battery replacement

- Unscrew 4 screws from the battery compartment cover
- Remove battery compartment cover
- Remove the old battery and unplug it from the edge connector
- Connect the new battery to the edge connector in the battery compartment and insert it in the battery as shown
- Replace the battery compartment cover and screw on with 4 PH screws $3.5 \times 10 \text{ M} = 1.5 \text{ Nm}$



Measurements



2/2